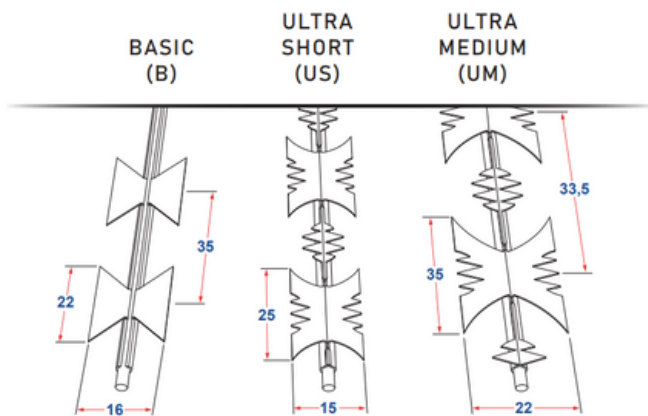


Mesh width L [mm]	Mesh height H [m]	Mesh weight [kg]			
		B	T	US	UM
6080	1015	8	8.4	9,2	10.4
	1240	9.7	10.2	11.2	12.6
	1465	11.4	12.1	13.2	14.9
	1690	13.1	13.8	15.2	17.1
	1915	14.9	15.7	17.2	19.4
	2140	16.6	17.5	19.2	21.6
	2365	18.3	19.3	21.2	23.9
	2590	20	21.1	23.2	26.1
	2815	21.8	23	25.2	28.4
	3040	23.5	24.8	27.2	30.6
	3265	25.2	26.6	29.2	32.8
	3490	26.9	28.4	31.2	35.1
	3715	28.6	30.2	33.2	37.3
	3940	22.7	24	26.3	29.6
4165	32.1	33.8	37.2	41.8	

AVAILABLE TYPES OF BLADES



WIRE SPECIFICATIONS

- galvanized spring wire
- Ø2,5 mm wire diameter
- DX52 Z100 material (galvanized min. 100 g/m²)
- tensile strength of Rm 1650 - 1750 MPa

TAPE SPECIFICATIONS

- galvanized steel tape
- tape thickness 0.5 mm
- DX52 Z270 material



Protector Fence Sp. z o. o. 8 Zagórki St. Hall 5.1, 77-300 Człuchów, Poland

www.protectorfence.pl

Contact:
+48 791 701 771
handlowy@protectorfence.pl
biuro@protectorfence.pl

Sales Office:
15 Grażyny St.
Suite 220 / 2'nd Floor
02-548 Warsaw, Poland